

# AI·SONIC

*Finnish audio design*

## ACTIVE COMPONENT MANUAL

### S3 SPEAKERS



# Introduction

Thank you for choosing AI-SONIC product!

Finnish AI-SONIC brand is developed by long term car-audio enthusiasts.

With our knowhow and passion, we have created product line that meets the needs for both  
competition and everyday usage.

Our team have spent countless hours to make your listening moments as an pleasant experience,  
and our R&D goal is to produce best possible quality and performance for every price category  
without compromises.

# Technical features



## S3 SPEAKERS

- \* 6.5" 2-Way Active Speaker System
- \* Black Aluminium Die Cast Basket
- \* Black Aluminium+paper Composite Cone (W)Rubber edge
- \* 1.2 inch ASV Voice Coil
- \* 13.2 Oz Magnet Structure
- \* 27mm Silk Dome Neodymium tweeter

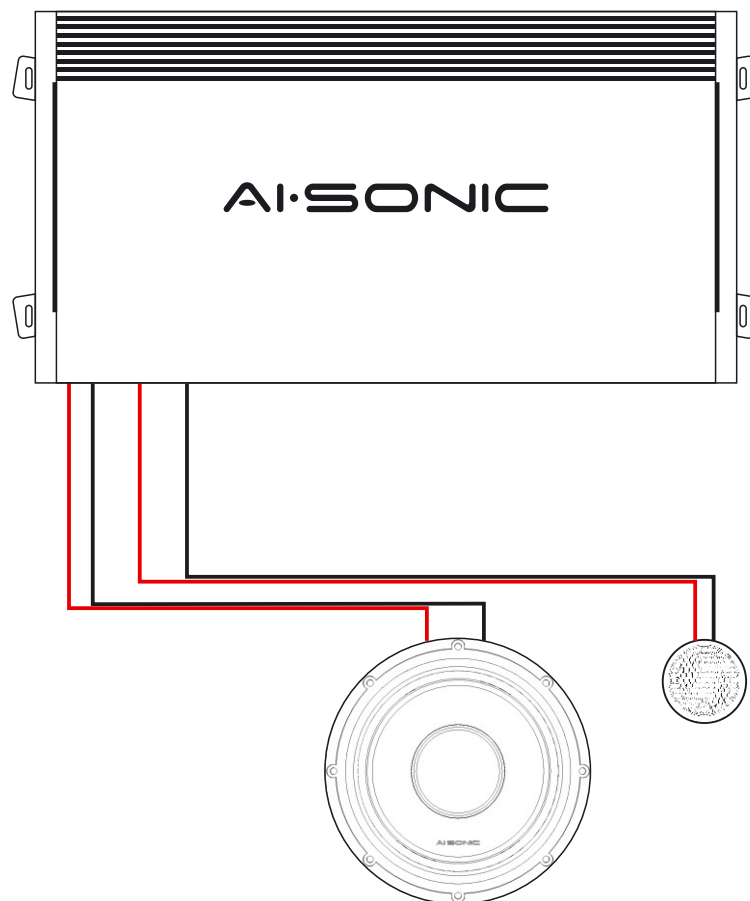
# Technical specification

S3 SPEAKERS	MODEL	S3-W6	S3-T27
	FS	58 Hz	850 Hz
	Efficiency (SPL)	88 dB	91 dB
	Qts	0,54	n/a
	Vas	11,92 L	n/a
	Impedance	4 Ohm	4 Ohm
	Frequency response	40 Hz-5 kHz	2,5 - 30 kHz
	Power recommendation	40-180W	20-120W

# Our recommendations for crossover points and slopes with AI-SONIC amplifiers.

For tweeter HPF 3300Hz / 12dB / oct

For mid woofer LPF 2000Hz / 12dB / oct



# Tweeter setup

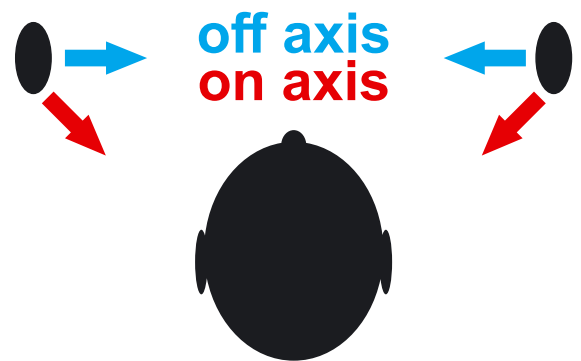
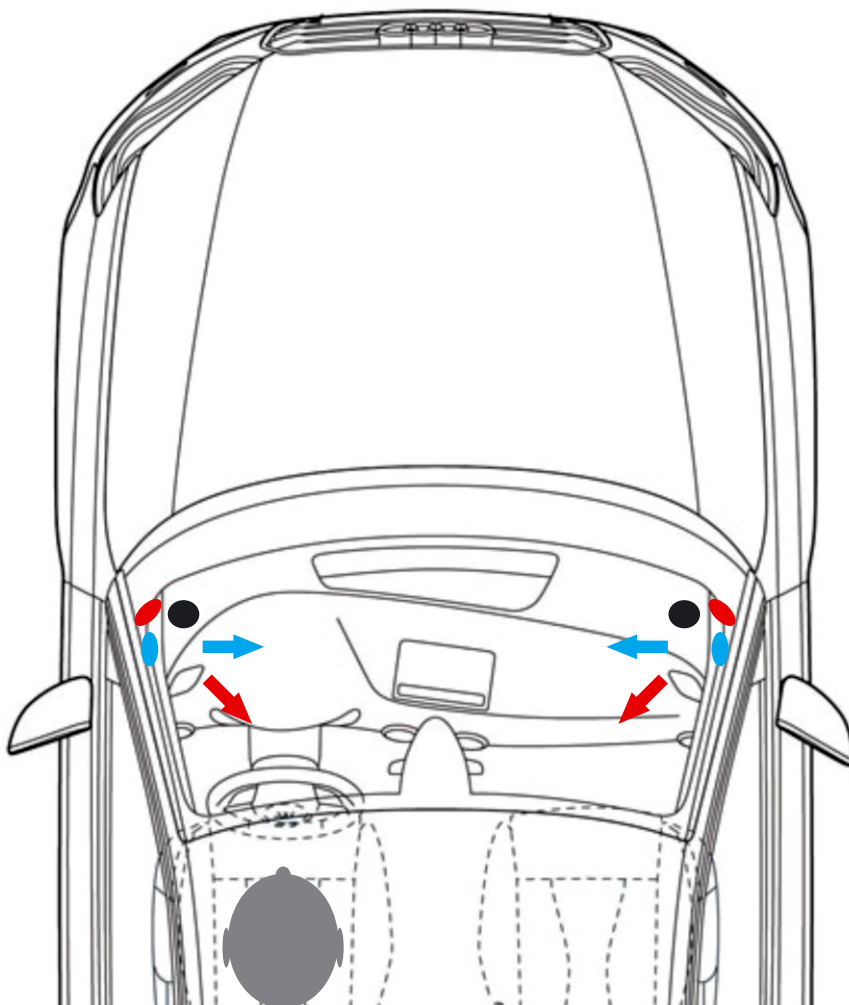
These values are recommendations by our own experience.

When tweeter is mounted towards listener ● (on axis),  
tweeter level adjustment should be -3dB.

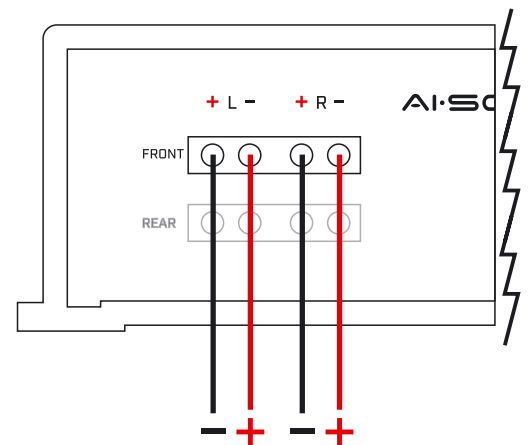
When mounted towards center of vehicle ● (off axis),  
tweeter level adjustment should be 0dB.

On dashmount ● (off axis) installation, tweeter will get window reflection, and  
on many cases needs to be connected with inverted polarity\*.

These setups are just recommendations.  
Try both ways and choose best for you.



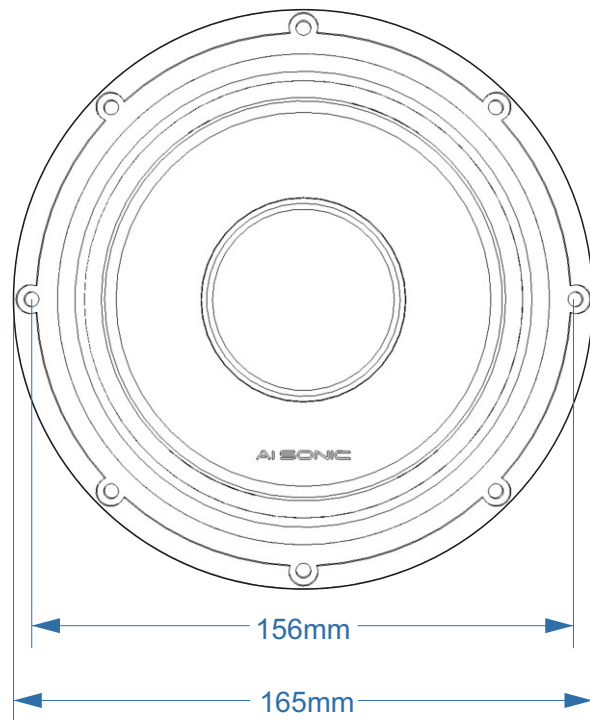
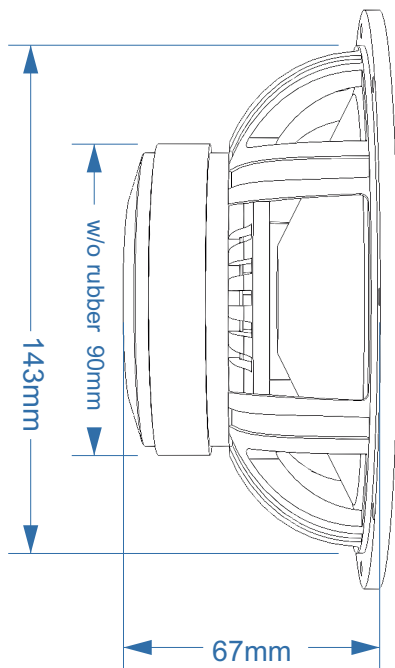
Crossover (tweeter) wiring for inverted polarity.  
Use front channels for tweeters and  
rear channels for mid woofers.



\*inverted polarity

# Dimensions

## S3 SPEAKERS

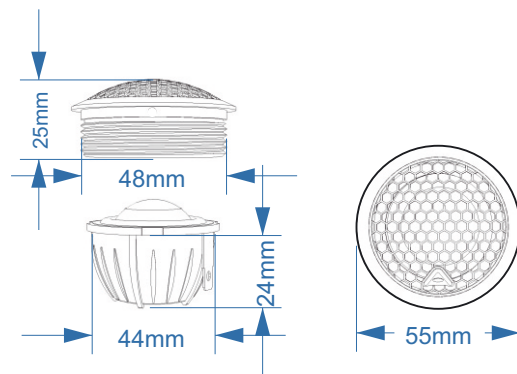


### diameter

Outer	Mounting
woofer 165mm	woofer 143mm
tweeter 55mm	tweeter 48mm

### mounting depth

woofer 67mm	tweeter 26mm
-------------	--------------



# Important Safety instructions

Please read all warnings found in this manual. They inform you of the potential danger of personal injury or damage to property.

**Our products are intended for use only by those possessing the necessary specialized knowledge. The relevant safety regulations regarding related auto parts, the regulations on internal vehicle safety, as well as the regulations of the authorized vehicle manufacturers should be followed diligently.**

## Hearing damage

Continuous, excessive exposure to sound pressure levels in excess of 85dB can cause a loss of hearing. AI-SONIC components are capable of producing sound pressure levels greater than 85dB.

## Volume and Driver Awareness

Use of sound components can impair your ability to hear necessary traffic sounds and may constitute a hazard while driving your automobile.

AI-SONIC accepts no liability for hearing loss, bodily injury or property damage as a result of use or misuse this product.

## Working on Automobile

Do not use your automobile until all components of the loudspeaker system have been secured to the interior framework. Failure to do so may turn a component into a dangerous, flying projectile during a sudden stop or accident.

Do not drill or drive screws through any vehicle interior or carpeted floor before inspecting the underside for potential punctures to control lines or cables. Be sure to avoid all fuel lines, brake lines, electrical cable or oil lines when planning the installation.

Before beginning installation of the loudspeaker system remove the minus connector (-) from the automobile battery in order to avoid possible short circuits.

Use care when removing interior trim panels. Car manufacturers use a variety of fastening devices that can be damaged in the disassembly process.

If sheet metal must be cut or removed contact your authorized car dealer for professional advice.

**By damage to supporting body structures the safety certificate may be withdrawn.**

## ! Shock Hazard !

**Do not touch the connectors when the system is running!**

# AI·SONIC

---

*Finnish audio design*

AI-SONIC is a trademark of  
Oy Ai-Group Ab  
info@audioimport.fi  
www.ai-sonic.com

